

# ADVENTURER 3

Find and Create fun



FLASHFORGE PRODUCT

# ADVENTURER 3





Minimalist design



Detachable nozzle



Removable and flexible print bed  
Support ABS and PLA



150\*150\*150  
Print size



Enclosed built-in  
filament cartridge



Touch screen

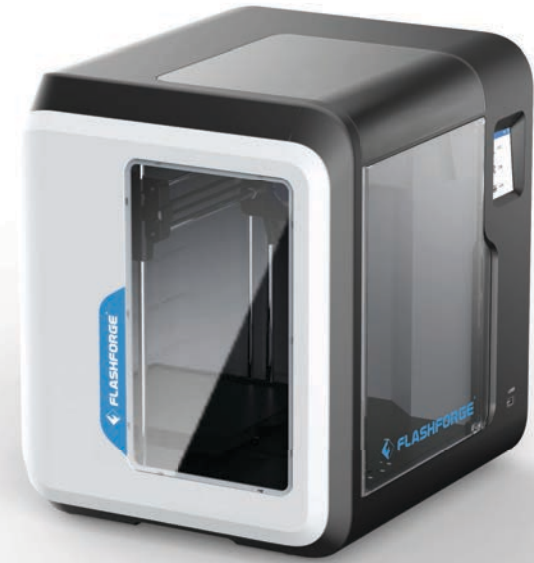


Cloud printing



45dB Super quiet printing

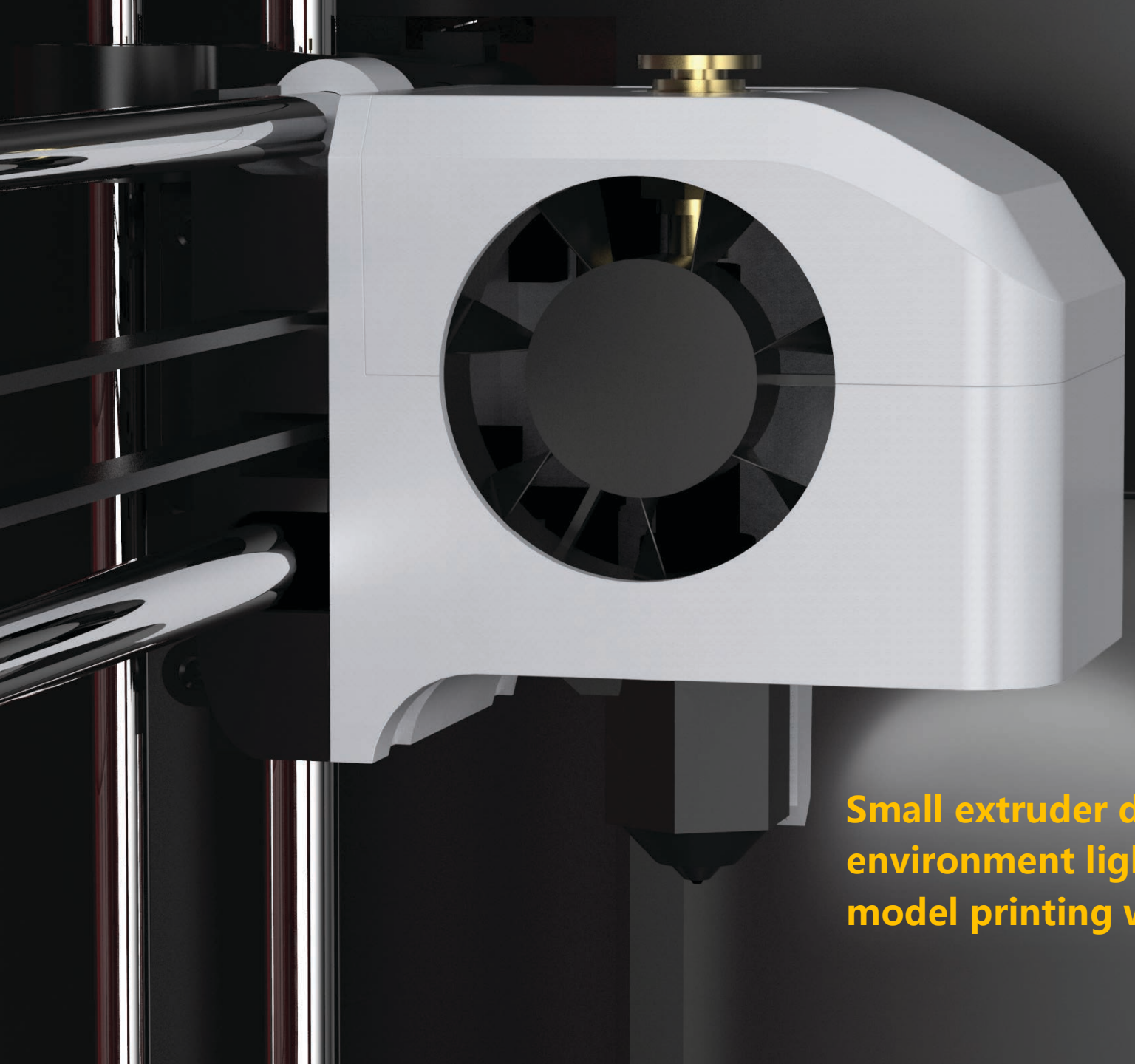
# Minimalist design



Enclosed chamber

Three sides transparent window

USB socket in front side



## Detachable nozzle

Easy to replace | Easy to maintain | Save time

**Small extruder design, with soft environment lighting, more clear for model printing watching**



## **Detachable nozzle**

More convenient to maintain, no need to disassemble whole extruder to clean nozzle

**Clip design,  
press to remove nozzle**

# 50s

20°C up to 200°C

**stainless steel tube  
nozzle, heat fast**





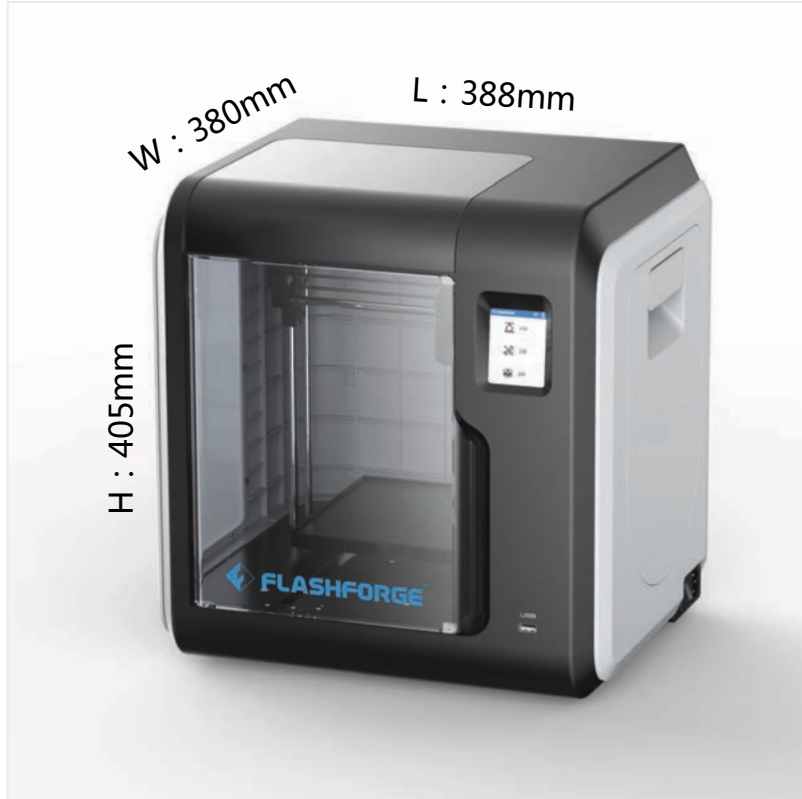
# Removable and flexible print bed



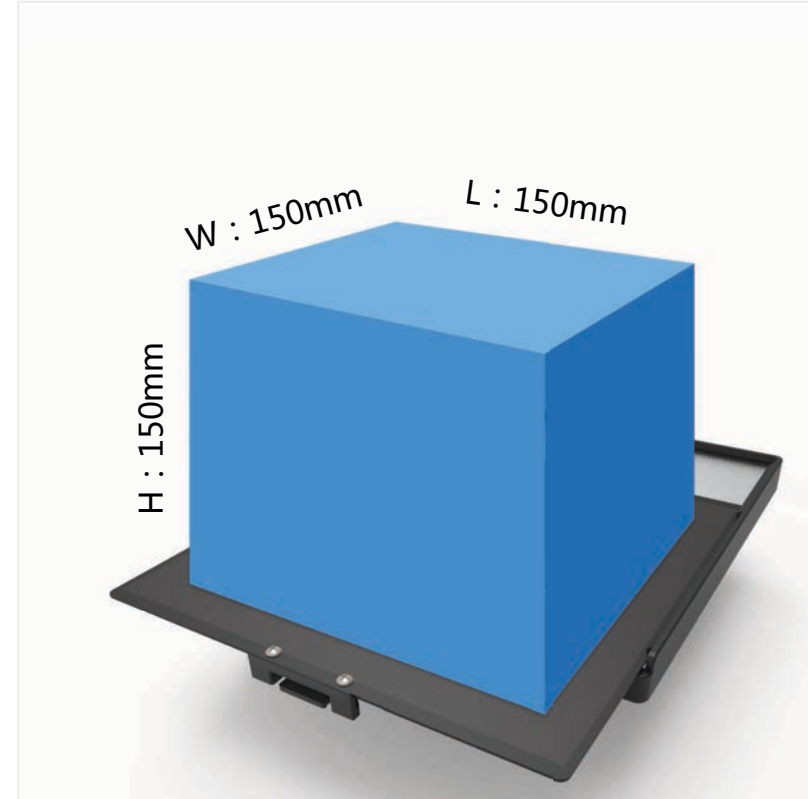
- Slightly press and remove
- Print bed can heat to 100°C at most, support ABS
- Maximum printing size 150\*150\*150mm
- Resumable flexible bending , can remove easily printed model even for big size



# High Space volume ratio



388\*380\*405 (L\*W\*H) / 9.0KG



150\*150\*150 (L\*W\*H)

# Enclosed built-in filament cartridge



rolling-over to  
open the filament cartridge



Built-in filament cartridge



Automatically feed  
filament

## 2.8 inch touch screen

Simple UI interface

Simplify operation levels

Printing status information is  
more intuitive



# Multi-ways of connection

Transfer and download files are very convenient in all situations



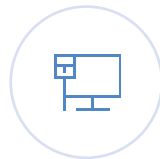
USB stick reading



FlashPrint software



Cloud printing



Wire-more professional



Wireless-Simple

# FlashCloud

## Model library

Share model  
Search needed model  
and download to print



## My printer

Manage printer, delete, add and  
share printer, check printing status

## My model

Upload , delete files  
Share my model



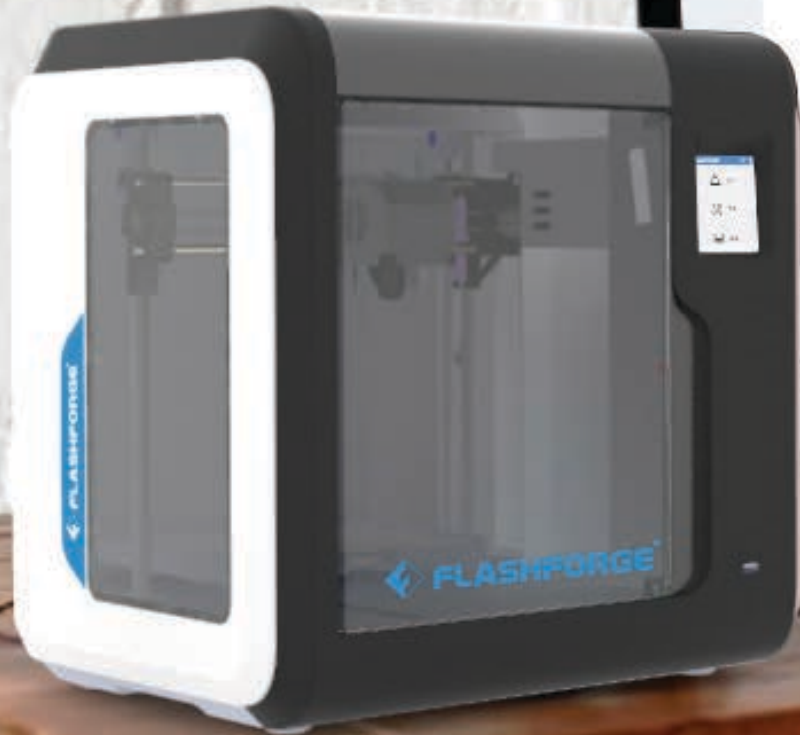
## Group

Create group and add friend  
Instant messaging  
Share device files to friends

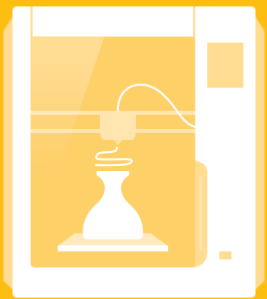
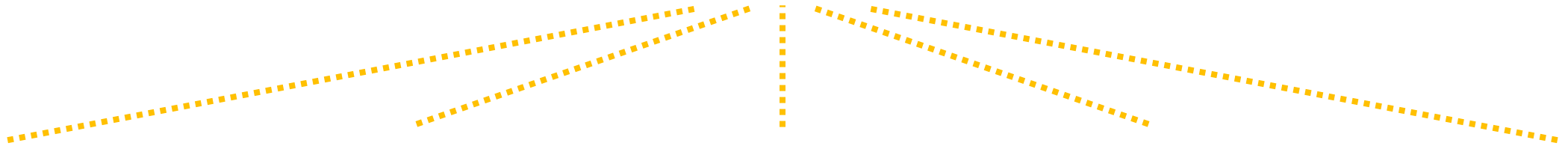


# Queue type task

Remote management in  
anytime, anywhere



# Cloud control multiple printers

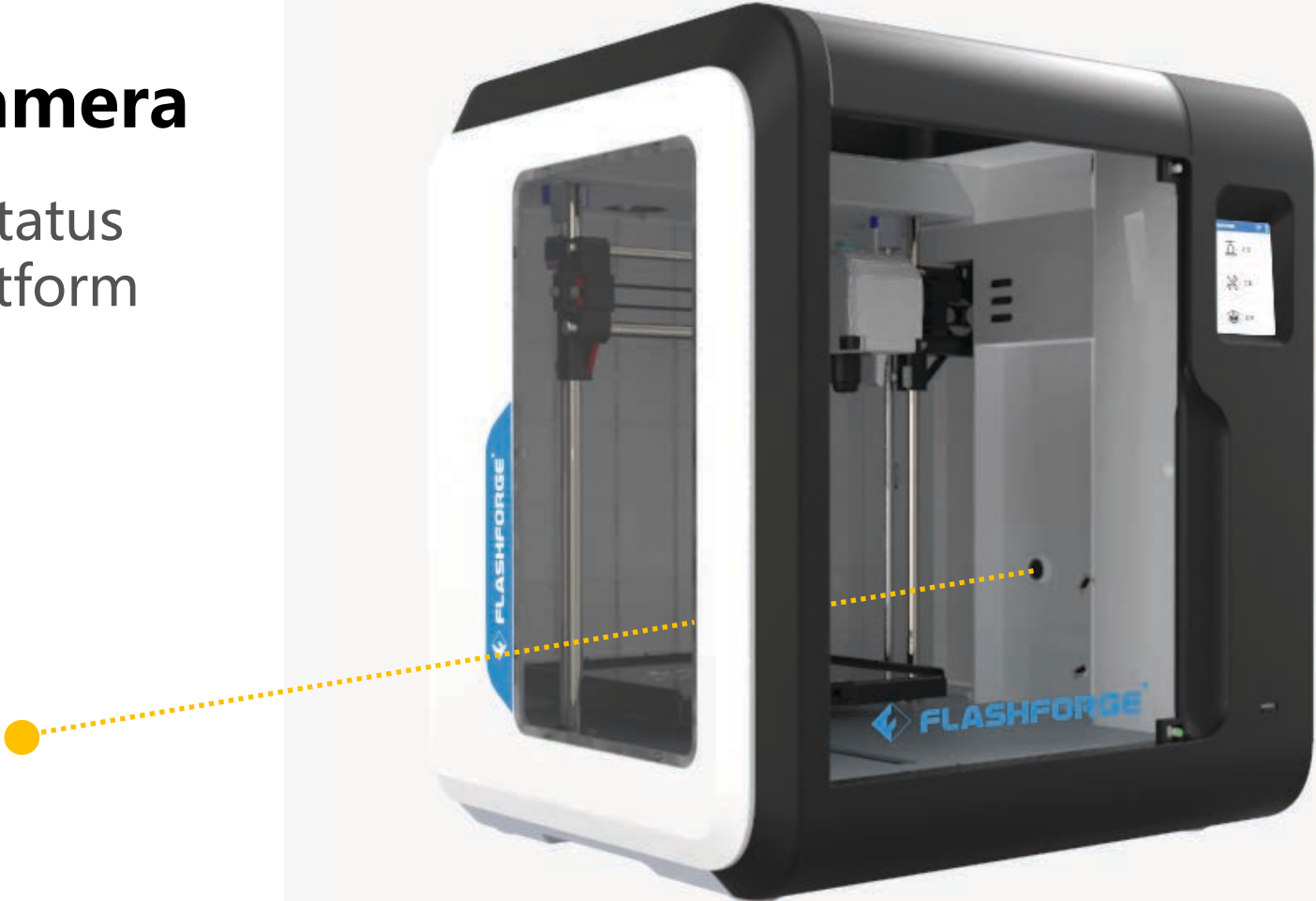




# Remote watching camera

Remote check the model status and schedule via cloud platform

**2 million**  
pixel



# < 45dB

It is easy to cause angiocardiopathy if endure 50dB noise at night, negative effect will be brought to children when noise reach 55dB

**The average noise of  
Adventurer3 is 42dB, you can  
enjoy comfortable place  
during printing**



**ADVENTURER 3 parameter**

# Body

Machine size :

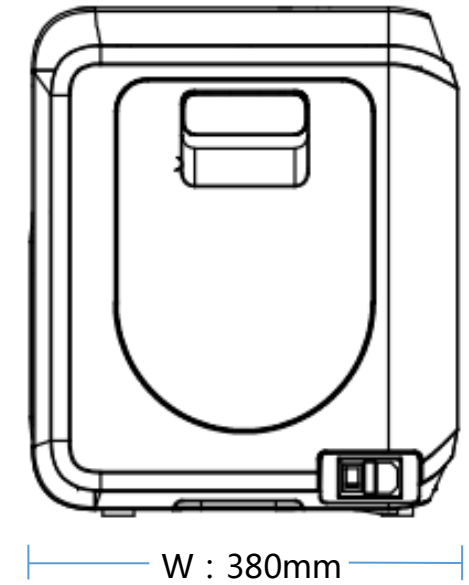
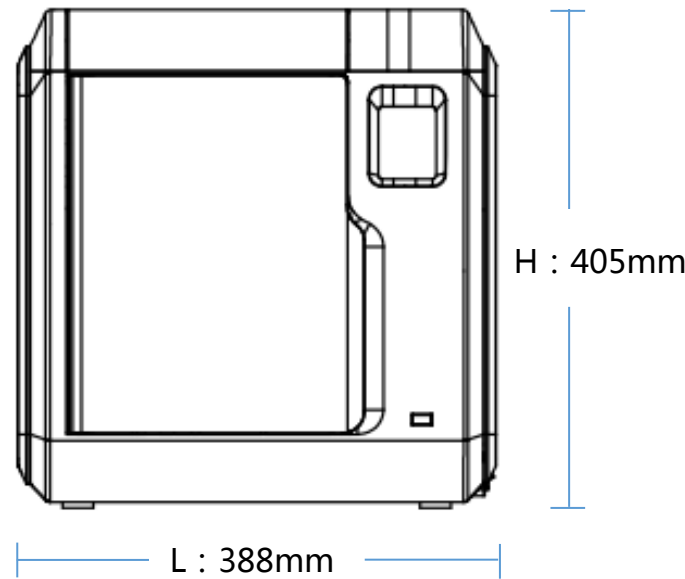
388\*380\*405mm Enclosed

chamber

Body material : ABS/PC

Screen: 2.8 inch touch Body

color: Black and white



# Printing

Print size : 150\*150\*150

Resolution : 0.1mm-0.4mm

Tolerance :  $\pm 0.2$ mm

Nozzle diameter : 0.4mm

Max temperature for print bed heating : 100°C

Support filament : ABS/PLA

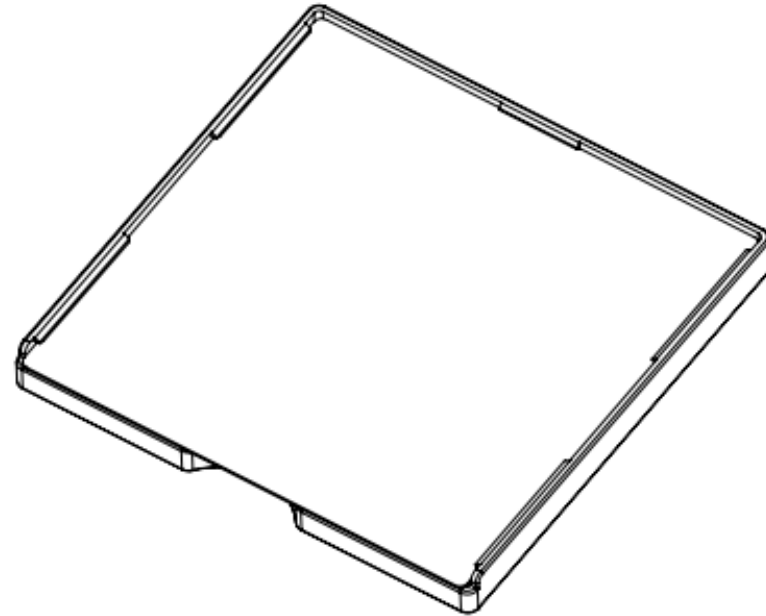
Running noise : 45dB

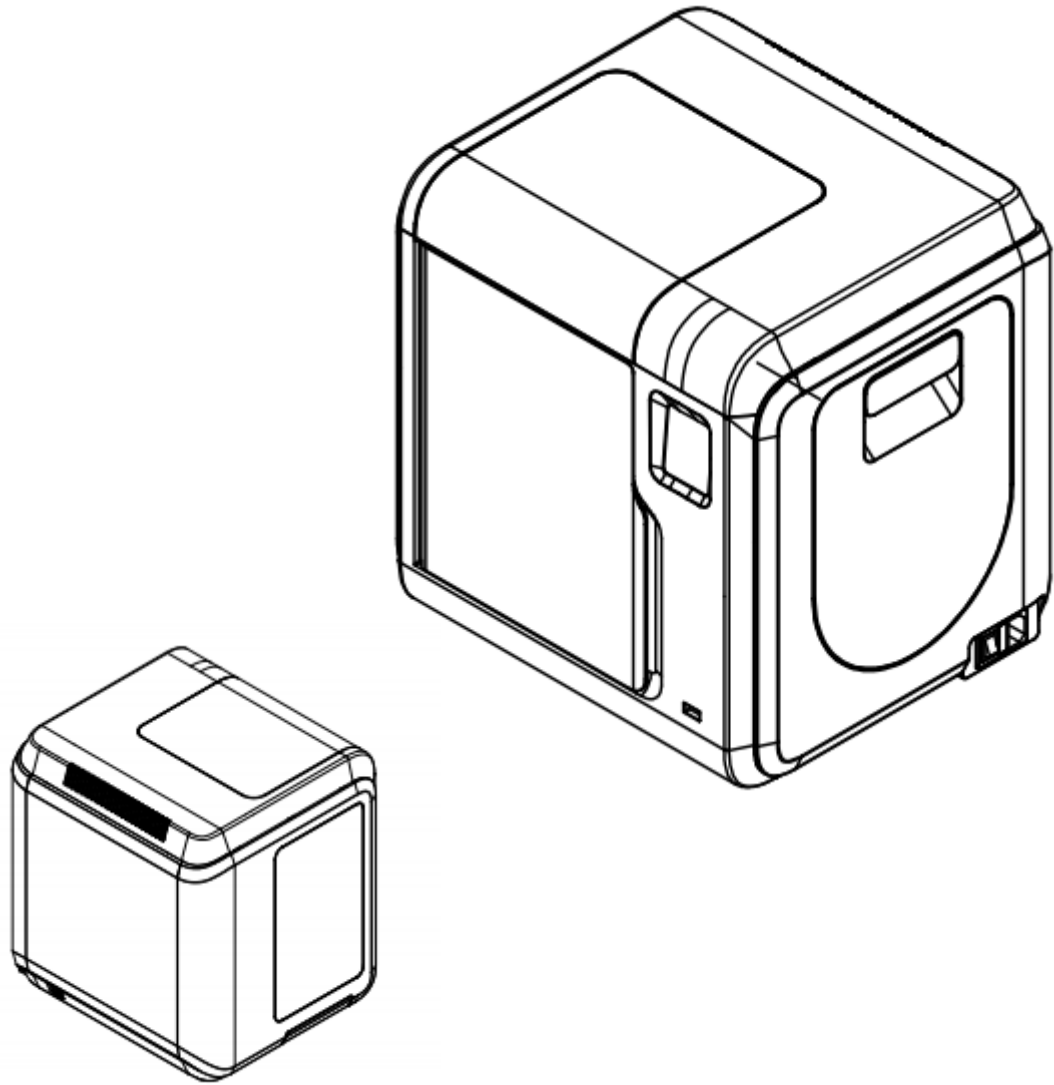
Printing temperature : 18-35°C

Max printing speed : 100mm/s

Date transfer: USB stick, WiFi,

Ethernet





# Function

Support cloud printing

Print bed heating

No need leveling

Filament detection

Fixed point pause

Automatically feed filament

# Packing

Dimension : 480\*420\*510mm

Gross weight : 13KG

